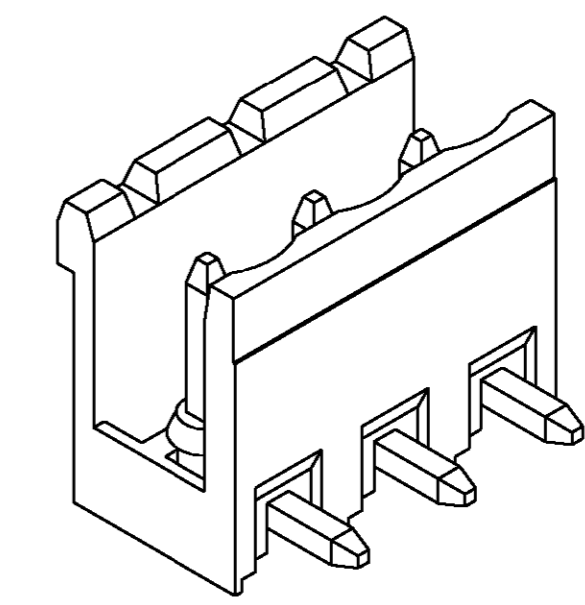
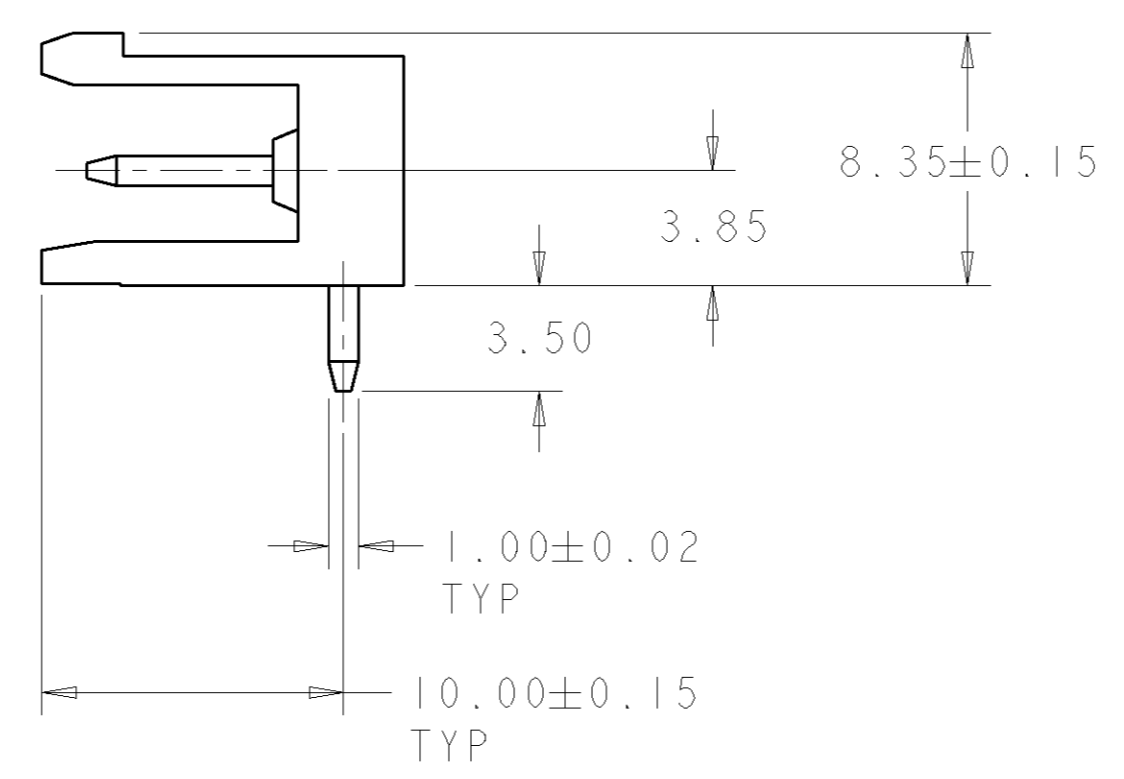
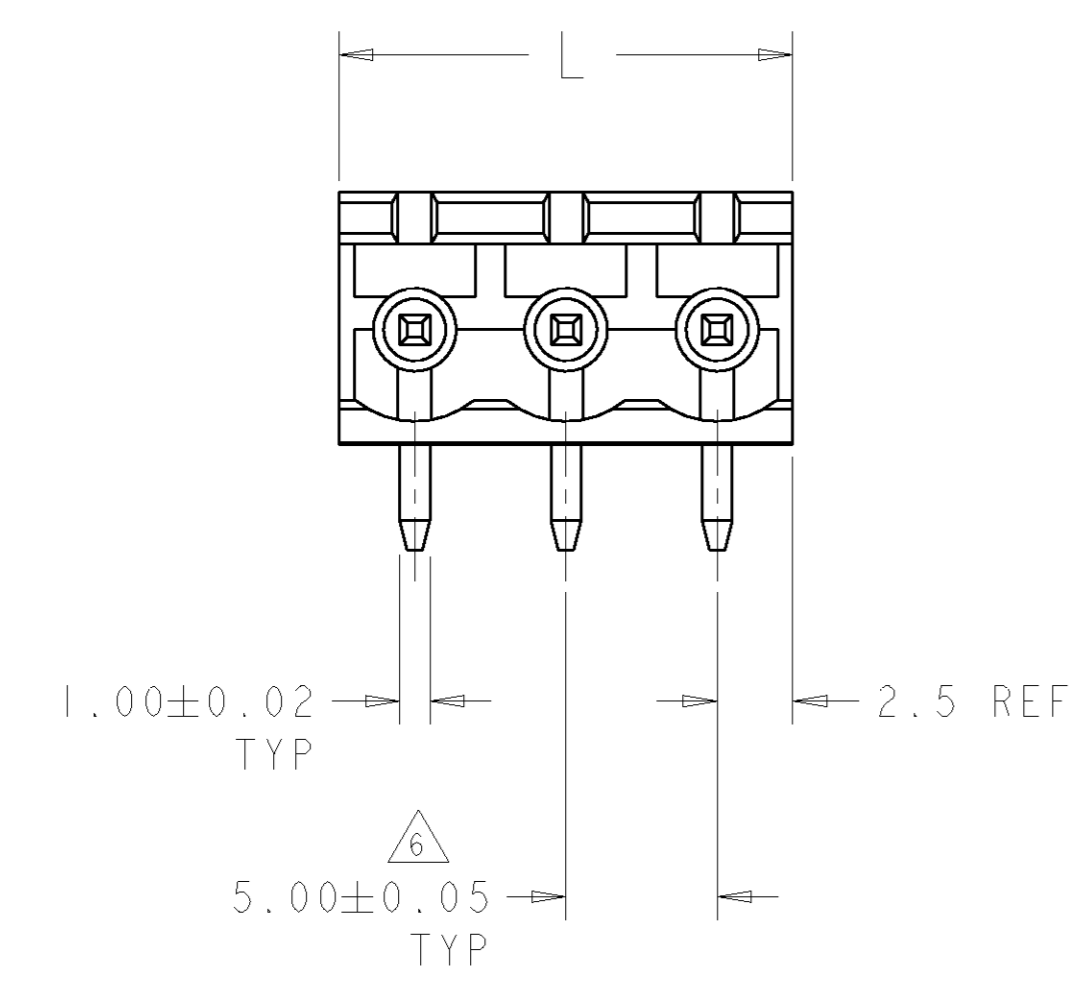
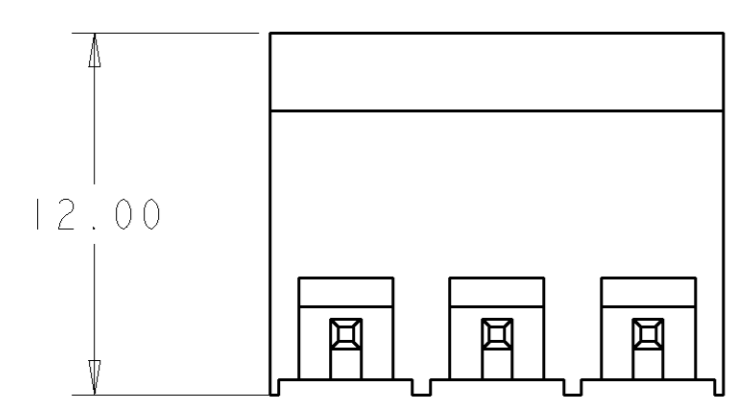


THIS DRAWING IS UNPUBLISHED. RELEASED FOR PUBLICATION 20
 © COPYRIGHT 20 BY TYCO ELECTRONICS CORPORATION. ALL RIGHTS RESERVED.

LOC	DIST	REVISIONS					
FT	0	P	LTR	DESCRIPTION	DATE	DWN	APVD
		D		REVISED EC 0G3B-0236-02	12SEP2002	SW	CR

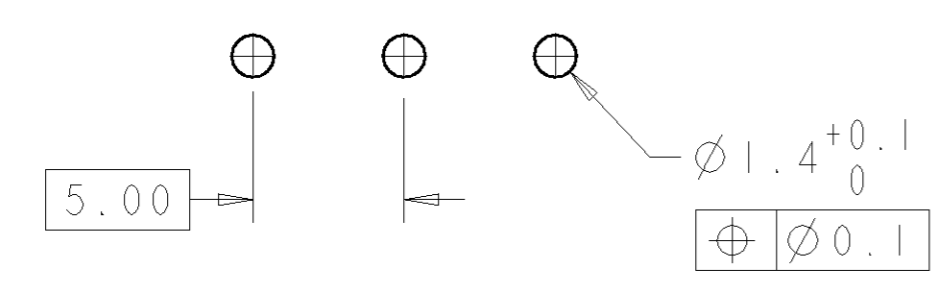


282812-3 AS SHOWN



- 1. MATERIALS AND FINISH
 HOUSING: PA 6-6, UL 94-V0, COLOR: GREEN.
 TERMINAL: PHOSPHOR BRONZE, TIN PLATED.
- 2. SUITABLE FOR 1,6-2,4mm PC BOARD THICKNESS.
- 3. END-TO-END STACKABLE WITHOUT LOSS OF CENTERLINE SPACING.
- 4. RECOGNIZED UNDER THE COMPONENT PROGRAM OF UNDERWRITERS LABORATORIES INC. FILE N° E60677.
- 5. IMQ CERTIFICATE WITH SURVEILLANCE IN CONFORMITY WITH IEC 998-1/998-2-1.
- 6. NOT CUMULATIVE TOLERANCE.
- 7. BUCHANAN LOGO TO APPEAR ON HOUSING, LOCATION OPTIONAL WHERE SPACE PERMITS.
- 8. SELECTIVELY LOADED IN POSITIONS 1, 4, 5, 8 & 11.

SEE DETAIL M	55.0	11	3-282812-1
-	125.0	25	2-282812-5
-	120.0	24	2-282812-4
-	115.0	23	2-282812-3
-	110.0	22	2-282812-2
-	105.0	21	2-282812-1
-	100.0	20	2-282812-0
-	95.0	19	1-282812-9
-	90.0	18	1-282812-8
-	85.0	17	1-282812-7
-	80.0	16	1-282812-6
-	75.0	15	1-282812-5
-	70.0	14	1-282812-4
-	65.0	13	1-282812-3
-	60.0	12	1-282812-2
-	55.0	11	1-282812-1
-	50.0	10	1-282812-0
-	45.0	9	282812-9
-	40.0	8	282812-8
-	35.0	7	282812-7
-	30.0	6	282812-6
-	25.0	5	282812-5
-	20.0	4	282812-4
-	15.0	3	282812-3
-	10.0	2	282812-2
SPECIAL	L	NO OF POSN	PART NUMBER



RECOMMENDED PC BOARD LAYOUT

THIS DRAWING IS A CONTROLLED DOCUMENT FOR TYCO ELECTRONICS CORPORATION. IT IS SUBJECT TO CHANGE AND THE CONTROLLING ENGINEERING ORGANIZATION SHOULD BE CONTACTED FOR THE LATEST REVISION.		DWN S. WELDON 12SEP2002	Tyco Electronics Harrisburg, PA 17105-3608	
DIMENSIONS: mm		CHK C. RICHARD 12SEP2002	NAME BUCHANAN TERMINAL BLOCK HEADER ASSEMBLY 90 DEGREE, OPEN ENDS, STACKING 5.00mm PITCH	
TOLERANCES UNLESS OTHERWISE SPECIFIED: 0 PLC ±.2 1 PLC ±.25 2 PLC ±.25 3 PLC ±.25 4 PLC ±.25 ANGLES ±2 FINISH		APVD C. RICHARD 12SEP2002		
MATERIAL		PRODUCT SPEC 108-20166	SIZE A2	CAGE CODE 00779
		APPLICATION SPEC 114-20079	DRAWING NO G-282812	RESTRICTED TO -
		WEIGHT -	SCALE 3:1 SHEET 1 OF 2 REV D	
		CUSTOMER DRAWING		

4

3

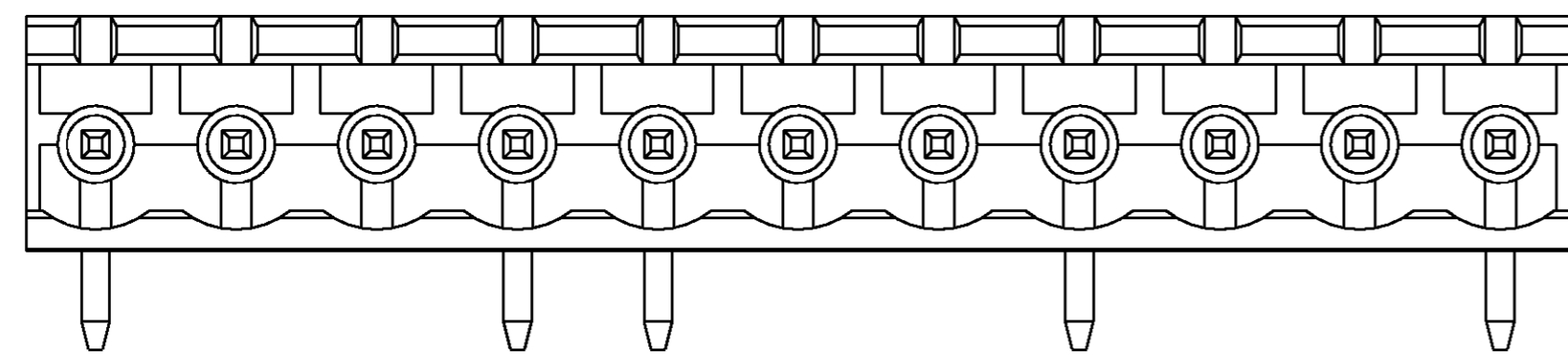
2

1

THIS DRAWING IS UNPUBLISHED. RELEASED FOR PUBLICATION 20

© COPYRIGHT 20 BY TYCO ELECTRONICS CORPORATION. ALL RIGHTS RESERVED.

LOC	DIST	REVISIONS					
FT	0	P	LTR	DESCRIPTION	DATE	DWN	APVD
		-		SEE SHEET 1	-	-	-



△
DETAIL M

<small>THIS DRAWING IS A CONTROLLED DOCUMENT FOR TYCO ELECTRONICS CORPORATION IT IS SUBJECT TO CHANGE AND THE CONTROLLING ENGINEERING ORGANIZATION SHOULD BE CONTACTED FOR THE LATEST REVISION.</small>		DWN S. WELDON 12SEP2002 CHK C. RICHARD 12SEP2002 APVD C. RICHARD 12SEP2002	BUCHANAN Tyco Electronics Harrisburg, PA 17105-3608
DIMENSIONS: mm	TOLERANCES UNLESS OTHERWISE SPECIFIED: 0 PLC ±.2 1 PLC ±.2 2 PLC ±.25 3 PLC ±. 4 PLC ±. ANGLES ±2 FINISH	PRODUCT SPEC - APPLICATION SPEC - WEIGHT -	NAME TERMINAL BLOCK HEADER ASSEMBLY 90 DEGREE, OPEN ENDS, STACKING 5.00mm PITCH
MATERIAL	-	CUSTOMER DRAWING	SIZE A2 CAGE CODE 00779 DRAWING NO. 282812 RESTRICTED TO - SCALE 3:1 SHEET 2 OF 2 REV D